

Patents, Designs, and Trade Marks

SUPPLEMENT

TO THE

NEW ZEALAND GAZETTE

OF

THURSDAY, NOVEMBER 26, 1908.

Published by Authority.

WELLINGTON, THURSDAY, NOVEMBER 26, 1908.

CONTENTS.

	Page
Complete Specifications and Drawings open to Inspection	3033
International and Intercolonial Arrangements for the Mutual Protection of Patents and Trade Marks ..	3034
Patent Publications in New Zealand	3034
Books and Documents open to Inspection at Patent Office, Wellington	3034
Official Publications	3035
Local Patent Offices	3035
Name Index of Patents, 1861-1889.. .. .	3035
Classified Abridgments of New Zealand Inventions at Auckland, Christchurch, and Dunedin	3035
Notice <i>re</i> Holiday	3035
Applications for Letters Patent filed	3035
Complete Specifications filed after Provisionals ..	3036
Complete Specifications accepted	3036
Provisional Specifications accepted	3039
Letters Patent sealed	3039
Letters Patent on which Fees have been paid ..	3039
Subsequent Proprietors of Letters Patent registered	3040
Applications for Letters Patent abandoned.. ..	3040
Applications for Letters Patent void	3040
Applications for Letters Patent lapsed	3040
Application for Letters Patent withdrawn	3040
Request for Amendment of Specification allowed ..	3040
Letters Patent void	3040
Designs registered	3040
Design expired	3040
Applications for Registration of Trade Marks ..	3040
Trade Marks registered	3045
Trade Mark Renewal Fee paid	3045
Trade Marks removed from the Register	3045

Complete Specifications and Drawings open to Inspection at Auckland, Dunedin, and Christchurch.

COPIES of the complete specifications and drawings advertised in the *Gazette* will be sent for public inspection to the

LOCAL PATENT OFFICES IN THE SUPREME COURT BUILDINGS

in the following towns on or about the dates mentioned:—

Auckland.

Gazette No. 94, of the 26th November. 2nd December to 16th December, inclusive.

Dunedin.

Gazette No. 94, of the 26th November. 23rd December to 6th January, inclusive.

Gazette No. 91, of the 12th November. 9th December to 23rd December, inclusive.

Gazette No. 85, of the 29th October. 25th November to 9th December, inclusive.

Christchurch.

Gazette No. 94, of the 26th November. 11th January to 25th January, inclusive.

Gazette No. 91, of the 12th November. 30th December to 13th January, inclusive.

Gazette No. 85, of the 29th October. 14th December to 28th December, inclusive.

Gazette No. 79, of the 15th October. 1st December to 15th December, inclusive.

[NOTE.—The office can take no responsibility if from any cause the specifications are not so available.]

International and Intercolonial Arrangements for the Mutual Protection of Patents and Trade Marks.

INTERNATIONAL CONVENTION.

THE following countries now belong to the Convention :—

Australia.	Italy.
Belgium.	Japan.
Brazil.	Mexico.
Ceylon.	New Zealand.
Cuba.	Norway.
Denmark and Faroe Islands.	Portugal, with the Azores and Madeira.
Dominican Republic.	Servia.
France, with Algeria and Colonies.	Spain.
Germany.	Sweden.
Great Britain.	Switzerland.
Holland, with East Indian Colonies, Curaçoa, and Surinam.*	Tunis.
	United States of America.

* Trade marks only.

Separate arrangements have been made between Australia and New Zealand.

Particulars of the Convention and of such arrangements may be seen in the following *Gazettes* :—

Notification of adhesion of New Zealand to the Convention, with text thereof (in English), in the *Gazette* of 26th November, 1891; notification of adherence of New Zealand to the Additional Act of the Convention, with text (in English), of such Additional Act, in Patents Supplement to *Gazette* No. 101, of the 16th November, 1905; Order in Council applying section 103 of the Imperial Act to New Zealand, in *Gazette* No. 27, of the 15th May, 1890; Orders in Council containing arrangements between Australia and New Zealand, in Patent Supplements to the *Gazette* Nos. 22 of the 9th March, 1905, and 38 of the 20th April, 1905.

Patent Publications in New Zealand.

THE following publications relating to Patents for inventions, &c., are open to inspection in the Dominion :—

WELLINGTON.—PATENT OFFICE LIBRARY.

United Kingdom.

The full text of the specifications and complete drawings of inventions patented from the year 1617 up to the 3rd September, 1908.

Classified illustrated abridgments of inventions from 1855 to 1905 and part of 1906.

Illustrated Official Journal, containing lists of recent applications, abridgments of inventions for which patents have been lately granted, patents void, &c., to October, 1908.

Index of Applicants.

Subject-matter Index.

Commissioner of Patents Journal, &c. (°).

Trade Marks Journal to May, 1908.

Canada.

Patent Office Record (containing illustrated abridgments of inventions, &c.) to March, 1908.

Australia.

The full text of the specifications and complete drawings in respect of applications accepted from the 11th January, 1906, to the 17th March, 1908, inclusive.

The Official Journal of Patents of the Australian Commonwealth (containing lists of applications for letters patent, abridgments of complete specifications accepted, &c.).

The Australian Official Journal of Trade Marks (containing lists of applications for registration of trade marks, &c.).

Specifications, drawings, abridgments, and indexes of Victoria, New South Wales, Queensland, and South Australia (°).

United States.

The full text of the specifications and drawings for the year 1905.

The Official Gazette of the United States Patent Office (containing illustrated abridgments of specifications, &c.) to October, 1908.

Mexico.

The Official Gazette of the Patent and Trade Mark Office.

(°) Discontinued.

(°) In arrears. Not now being printed.

General.

La Propriété Industrielle (the official organ of the International Bureau of the Union for the Protection of Industrial Property).

Patent laws of the world.

Patent and Trade Mark Review.

Text-books and handbooks on patents and trade marks.

AUCKLAND.—PUBLIC LIBRARY.

United Kingdom.

Classified abridgments of inventions from 1855 to 1904.
Illustrated Official Journal from 1897 to date.

Canada.

Patent Office Record (containing illustrated abridgments of inventions, &c.) from 1897 to date.

Australia.

The Official Journal of Patents from 1905 to date.

United States.

The Official Gazette of the United States Patent Office (containing illustrated abridgments of specifications, &c.) from 1885 to 1887 and 1890 to 1895.

CHRISTCHURCH.—PUBLIC LIBRARY.

United Kingdom.

Classified abridgments of inventions from 1855 to 1904.
Illustrated Official Journal from October, 1905, to date.

Canada.

Patent Office Record (containing illustrated abridgments of inventions, &c.) from 1897 to date.

Australia.

The Official Journal of Patents from 1905 to date.

DUNEDIN.—TOWN HALL.

United Kingdom.

Classified abridgments of inventions from 1855 to 1904.
Illustrated Official Journal from October, 1905, to date.

Australia.

The Official Journal of Patents from 1905 to date.

Books and Documents open to Inspection at Patent Office, Wellington.

THE following documents and books are open to public inspection at the Patent Office :—

PATENTS.

(Fee for each search or inspection, not exceeding one hour, 1s.)

1. The files relating to all applications for letters patent in respect of which complete specifications have been accepted.
2. Classified copies of specifications and drawings, with index and key (°).
3. Register of Applications for Letters Patent.
4. Register of Patents.
5. Register of Subsequent Proprietors of Letters Patent (°).
6. Index of Patentees (°).
7. Index of Proprietors of Letters Patent granted prior to 1890 (°).
8. Index of Specifications (°).

DESIGNS.

(Search fee, 1s. each quarter of an hour.)

1. Register of Designs, with Index of Names of Proprietors.
2. Classified Representations of Designs in respect of which Copyright has expired.
3. Index of Designs.

(°) Key is in card index.

(°) This Register contains only names of subsequent proprietors of letters patent granted prior to 1st January, 1890; since that date they appear in Register of Patents.

(°) Includes all names of applicants, &c. and consists of four volumes to 4th November, 1903, and card index since that date. A separate card index is kept for current quarter.

(°) The names of proprietors of subsequent letters patent appear in the Index of Patentees.

(°) Contains classified abridgments of specifications from 1861, with extracts from drawings from July, 1904.

TRADE MARKS.

(Search fee, 1s. each quarter of an hour.)

1. The files relating to all applications for registration of trade marks.
2. Register of Applications for Registration of Trade Marks.
3. Register of Trade Marks.
4. Index of Applicants for Registration of Trade Marks^(a).
5. Index of Trade Marks.
6. Classified Representations of Trade Marks, with indexes.

MISCELLANEOUS.

Register of Patent Agents.

FORMS AND PUBLICATIONS.

The following forms, &c., may be had on application at the Patent Office, Wellington, or at any of the local Patent Offices named below:—

- Application for letters patent.
- Provisional specification.
- Complete specification and copy thereof.
- Application for registration of design.
- Application for registration of trade mark.
- Applications for extension of time.
- Requests by subsequent proprietor to enter name on Register of Patents and Trade Marks.
- Printed sheets of information as to fees and procedure to obtain letters patent and to register a trade mark^(b).
- Pamphlet containing Act and Regulations (price 1s.).

^(a) Names of applicants for registration and proprietors of trade marks are indexed at the beginning of the Registers up to 31st December, 1889; in separate volume up to 5th September, 1904; and since the latter date in card index.

^(b) May also be obtained at any local Patent Office or money-order office.

Official Publications.

THE following publications may be obtained from the Government Printer, Wellington:—

Printed specifications to the end of the year 1879.
Annual lists of letters patent and letters of registration applied for, and particulars of applications lapsed, and patents lapsed, from 1880 to 1893 inclusive. (The lists for the last four of these years are contained in the *Annual Reports of the Registrar*.)

Annual reports of the Registrar, containing alphabetical indexes of applicants for letters patent and of subject-matter of inventions patented from 1894 to 1906 inclusive.

The Patents Supplement to *Gazette* (containing notifications, applications for letters patent, abridged descriptions and drawings of inventions, &c.), published fortnightly.

Local Patent Offices.

LOCAL Patent Offices for the reception of applications, supply of forms, &c., have been established at the following places:—

- Auckland—Supreme Court. (E. W. Cave, agent.)
- Whangarei—Courthouse. (W. J. Reeve, agent.)
- Thames—Courthouse. (J. Jordan, agent.)
- Waihi—Courthouse. (J. McIndoe, agent.)
- Hamilton—Courthouse. (H. J. Dixon, agent.)
- Gisborne—Courthouse. (G. J. A. Johnstone, agent.)
- New Plymouth—Courthouse. (J. Terry, agent.)
- Napier—Courthouse. (A. Trimble, agent.)
- Wanganui—Courthouse. (C. A. Barton, agent.)
- Taihape—Courthouse. (W. Baker, agent.)
- Palmerston North—Courthouse. (C. J. Hewlett, agent.)
- Masterton—Courthouse. (M. Foley, agent.)
- Nelson—Courthouse. (E. C. Kelling, agent.)
- Blenheim—Courthouse. (F. W. Hart, agent.)
- Westport—Courthouse. (O. B. Bowling, agent.)
- Greymouth—Courthouse. (B. Harper, agent.)
- Hokitika—Courthouse. (J. N. Nalder, agent.)
- Christchurch—Supreme Court. (W. W. Samson, agent.)
- Ashburton—Courthouse. (J. Fitzgerald, agent.)
- Timaru—Courthouse. (T. W. Tayler, agent.)
- Oamaru—Courthouse. (A. A. Mair, agent.)
- Dunedin—Supreme Court. (T. E. Roberts, agent.)
- Clyde—Courthouse. (F. T. D. Jeffery, agent.)
- Gore—Courthouse. (G. H. Lang, agent.)
- Queenstown—Courthouse. (A. J. Thompson, agent.)
- Invercargill—Courthouse. (J. R. Colyer, agent.)

Name Index.—Patents.

Vol. I, 1861 to 1889.

MAY be obtained from the GOVERNMENT PRINTER.

PRICE, 2s. 6d.

Classified Abridgments of New Zealand Inventions open to inspection at Auckland, Christchurch, and Dunedin.

CLASSIFIED abridgments of complete specifications gazetted from the 1st January to the 30th September, 1908, are open to public inspection at the local Patent Offices at Auckland, Christchurch, and Dunedin.

30th November to be a Holiday in Celebration of St. Andrew's Day.

Office of the Minister of Internal Affairs,
Wellington, 12th November, 1908.

THE Government offices throughout New Zealand will be closed on Monday, 30th instant, in celebration of St. Andrew's Day.

JOHN G. FINDLAY,
Minister of Internal Affairs.

Applications for Letters Patent filed.

LIST of applications for Letters Patent filed. (Where a complete specification accompanies an application an asterisk is affixed; in all other cases a provisional specification has been lodged. In all cases where the applicant is not the inventor the name of the latter appears in italics after the title.)

- No. 25192.—10th November.—G. Hyde, Masterton, N.Z.
Extension table.*
- No. 25193.—6th November.—E. C. Austin, Eastbrook, N.Z.
Foresight for spirit-level.
- No. 25194.—11th November.—J. D. McLaurin, Pohangina, N.Z.
Baled goods temperature - tester. (W. Alexander.)
- No. 25195.—11th November.—F. Lennard, Sydney, N.S.W.
Rotary engine.* (Date applied for under section 106, 12th December, 1907.)
- No. 25196.—11th November.—C. Karutz, Helmstedt, Ger.
Bag-closing device.*
- No. 25197.—11th November, F. Lamplough, L. F. M. de Peyrecave, and Thomas Evans and Son (Poplar), Limited, London, Eng.
Rotary motor and pump.*
- No. 25198.—11th November.—P. Brandt, St. Petersburg, Russia.
Hydraulic and pneumatic machine and apparatus and packings therefor.*
- No. 25199.—11th November.—United Shoe Machinery Company, Paterson, U.S.A.
Heel-nailing machine. (E. A. Webster.)
- No. 25200.—11th November.—United Shoe Machinery Company, Paterson, U.S.A.
Resurfacing the beds of presses. (A. Bates.)
- No. 25201.—11th November.—United Shoe Machinery Company, Paterson, U.S.A.
Tool-controlling mechanism. (F. B. Keall.)
- No. 25202.—11th November.—United Shoe Machinery Company, Paterson, U.S.A.
Sole-levelling machine.* (E. E. Winkley.)
- No. 25203.—11th November.—United Shoe Machinery Company, Paterson, U.S.A.
Inseam-trimming machine. (A. Bates.)
- No. 25204.—11th November.—United Shoe Machinery Company, Paterson, U.S.A.
Lasting-machine. (M. Brock.)
- No. 25205.—11th November.—A. H. Wright, Wellington, N.Z.
Advertising and display-sheet apparatus.
- No. 25206.—11th November.—J. Lomas, Southbridge, Tas.
Apple-grader.
- No. 25207.—10th November.—F. Stubbs, Auckland, N.Z.
Draw-off-pipe apparatus.
- No. 25208.—11th November.—G. H. Morley, Hobart, Tas.
Cleaning drinking, &c., vessels.
- No. 25209.—12th November.—H. S. Marks, Melbourne, Vic.
Chaff and root cutter.*

- No. 25210.—12th November.—H. J. Marks, Toowoomba, Q.
Building-construction.*
- No. 25211.—12th November.—J. Kannuluik, Melbourne, Vic.
Closet-ventilator.*
- No. 25212.—12th November.—J. Ross, Waverley, N.Z.
Transferring clothes from washing-boiler.*
- No. 25213.—12th November.—J. McHarg, Nelson, N.Z.
Safety-strap for perambulator.
- No. 25214.—12th November.—D. A. Poole, Matapu, N.Z.
Milking-machine test-cup.
- No. 25215.—12th November.—W. H. Trengrove, Wellington, N.Z.
Internal-combustion engine.
- No. 25216.—12th November.—R. S. B. Low, Wellington, N.Z.
Glazing-bar for shop-front.*
- No. 25217.—10th November.—H. Butterworth, Auckland, N.Z.
Flooring and road-making composition.
- No. 25218.—10th November.—T. R. Clow, Papatotoi, N.Z.
Windmill for raising water.
- No. 25219.—10th November.—E. L. Clark, Auckland, N.Z.
Suction and force pump.
- No. 25220.—13th November.—H. R. Smith, Christchurch, N.Z.
Rotary pump.
- No. 25221.—6th November.—O. S. Beilby, Murchison, N.Z.
Preventing racing of propeller.*
- No. 25222.—16th November.—J. E. Owen, Auckland, N.Z.
Block or tile for sewers.
- No. 25223.—13th November.—A. Edmond and J. Hercous, Dunedin, N.Z.
Pin.*
- No. 25224.—13th November.—W. G. Richardson, Auckland, N.Z.
Hemp-washing, &c., and saccharine and gum recovery.
- No. 25225.—17th November.—F. Owen, Taumarunui, N.Z.
Oven-shelf.
- No. 25226.—14th November.—J. Phelps, Auckland, N.Z.
Plaster.
- No. 25227.—18th November.—K. H. Wimmer, Halzhafen, Ger.
Preparing coffee free from caffeine.*
- No. 25228.—18th November.—C. G. C. Whyte, Murrickville, N.S.W., and A. Rau, Sydney, N.S.W.
Manifold copying-book.
- No. 25229.—18th November.—J. T. Hunter, Wellington, N.Z.
Typographical composing-machine.* (*Linotype and Machinery Limited—H. Pearce and J. E. Billington.*)
- No. 25230.—18th November.—Auto-Hydraulic Limited, London, Eng.
Liquid-container and valve mechanism for water-elevator.* (*A. E. Hodder.*)
- No. 25231.—18th November.—J. Blum, Brussels, Belgium, and A. W. Carpenter, London, Eng.
Artificial-rubber manufacture.*
- No. 25232.—18th November.—A. Deperdussin, Paris, France.
Optical toy.*
- No. 25233.—18th November.—F. C. Ziemsen, Kluss, Ger.
Cutting down water-plants.
- No. 25234.—18th November.—P. M. Newton, Melbourne, Vic.
Amplifying-horn for talking-machine.* (*J. C. English.*)
- No. 25235.—18th November.—J. C. Hancock, Perth, W.A., and A. B. Thompson, Brookton, W.A.
Rubber stud and heel-plate for boots, &c.*
- No. 25236.—18th November.—A. W. Reid, Stratford, N.Z.
Vacuum pump for milking-machine.
- No. 25237.—19th November.—W. T. Hitchen, Gular, N.S.W.
Gas-generator and rabbit-fumigator.
- No. 25238.—19th November.—W. E. Mainwaring, Foxton, N.Z.
Telephone-disinfectant, &c.
- No. 25239.—19th November.—J. B. Coventry, Wellington, N.Z.
Kettle.
- No. 25240.—19th November.—R. A. Large, Christchurch, N.Z.
Manure and fertiliser distributor.
- No. 25241.—16th November.—J. G. Bentley, Dunedin, N.Z.
Window-sash lock and adjuster.
- No. 25242.—16th November.—W. Borlase, Dunedin, N.Z.
Motor-cycle driving gear.
- No. 25243.—20th November.—T. Woolley, Wellington, N.Z.
Matchboarding-creep.

- No. 25244.—17th November.—A. H. Wright, Dunedin, N.Z.
Advertising and educational display apparatus.
- No. 25245.—17th November.—A. Sharp, London, Eng.
Air-spring.*
- No. 25246.—17th November.—J. Wilson, Seville, Vic.
Lever winch.*
- No. 25247.—17th November.—A. Goetz and P. A. Jones, Grand Rapids, U.S.A.*
Pasteurisation process.
- No. 25248.—17th November.—G. S. Ackley, Buffalo, U.S.A.
Brake-chain winding mechanism.*
- No. 25249.—20th November.—C. R. Skipage, Featherston, N.Z.
Cow-bail.
- No. 25250.—21st November.—B. Locking, Napier, N.Z.
Poison-gas generator.
- No. 25251.—21st November.—F. J. Brown and H. Burke, Eltham, N.Z.
Valve for closing pipes.
- No. 25252.—21st November.—F. J. Brown and H. Burke, Eltham, N.Z.
Hose-coupling.

Complete Specifications filed after Provisionals.

LIST of complete specifications filed after provisional specifications, from the 9th to the 23rd November, 1908, inclusive:—

- No. 23923.—J. Anderson, R. H. Free, and W. H. Hampton, cramp.
- No. 23986.—W. J. Roebuck and J. D. T. Paulin, platform bracket for ladder.
- No. 23988.—C. F. Pulley, planing wharf-decking, &c.
- No. 24011.—W. M. Orr, ladder-roller for dredge.
- No. 24083.—United Shoe Machinery Company, press. (C. Bennion.)
- No. 24468.—E. S. Wells, butter-cutter.
- No. 24606.—F. M. Allan, manufacture of clinker for making Portland cement.

Notice of Acceptance of Complete Specifications.

Patent Office,
Wellington, 26th November, 1908.

COMPLETE specifications relating to the undermentioned applications for Letters Patent have been accepted, and are open to public inspection at this office. Any person may, at any time within two months from the date of this Gazette, give me notice in writing of opposition to the grant of any such patent. Such notice must set forth the particular grounds of objection, and be in duplicate. A fee of 10s. is payable thereon.

No. 23520.—25th September, 1907.—ROBERT MILLIS, of Dunedin, New Zealand, Engineer. Improved process of and apparatus for preparing fibre from *Phormium tenax*.*

Extract from Specification.—The leading features of the invention are the principle of feeding regulated by a time shutter to the mouthpiece of the stripper, the endless belt to which is secured a number of rods projecting at right angles to carry away the stripped flax, the action of which rods times or is timed by the shutter, the double rotary conveyor provided with hooks or prongs to carry the stripped flax through the washer, the collector consisting of chains and guide-bars, and the twisting mechanism; also the principle of transporting automatically the stripped flax from the stripper to the draining-platform, and the principle of the step in this operation which consists in automatically transporting, twisting, and delivering washed fibre from a wet scatcher or washer on to the drainage-platform.

[NOTE.—The above extract from the specification is inserted in place of the claims.]

(Specification, 9s.; drawing, 1s.)

No. 23720.—12th November, 1907.—HENRY BRADSEAW CHAPMAN, of No. 167 Strand Arcade, Sydney, New South Wales, Australia, Manufacturers' Representative. Improved basket or package carrier or straps and handle.*

Claims.—(1.) Improved basket or package carrier or straps and handle, the essential feature of which is a pair of straps affixed to a bent or a distanced cane or like handle, substantially as described and explained. (2.) Improved basket

or package carrier or straps and handle constructed substantially as described and explained, and as illustrated respectively in Figs. 1 to 4 of the drawings.

(Specification, 2s. ; drawing, 1s.)

No. 23798.—5th December, 1907.—ALFRED LAUNCELOT JAMES TAIT, of Dunedin, New Zealand, Inventor. An improved pot-cleaner.*

Claims.—(1.) In a cleaning appliance, in combination, a brush, a mop, capable of being wrung out by one end being fixed and the other end being connected with a revolving spindle, and a spoon-scraper, all substantially as shown on the drawing and as described and as explained. (2.) In combination in a cleaning apparatus, a mop, a scraper, a spoon, a brush, arranged round a stock for the purposes set forth.

(Specification, 1s. ; drawing, 1s.)

No. 24025.—17th February, 1908.—DOROTHY WINIFRED DIKE, of "Ivanhoe," Meeniyan, South Gippsland, Victoria, Australia, Spinster. An improved combination knee-rest and ear-attachment for milking-buckets.*

Claim.—A combination knee-rest and ear-attachment for milking-buckets, comprising an ear-piece, a bucket-piece, and a knee-rest piece, all integral and formed from a blank plate.

[NOTE.—Here follow thirteen other claims.]

(Specification, 10s. ; drawing, 1s.)

No. 24048.—21st February, 1908.—VALENTINE SAMUEL ASTON, of Ormond Road, Gisborne, New Zealand, Umbrella-maker. A process for bleaching the fibres of New Zealand flax and cabbage-tree leaves in the production of hemp.*

Claim.—The process of bleaching the fibres of New Zealand flax (*Phormium*) and (or) cabbage-tree leaves by the application of a dilute solution of sugar or saccharine substance thereto and (or) during any process of producing hemp (*Phormium*) fibre from the leaves of New Zealand flax (*Phormium*), and (or) cabbage-tree, substantially as described.

(Specification, 2s. 6d.)

No. 24178.—23rd March, 1908.—JAMES HARGREAVES, of Eden Terrace, Auckland, New Zealand, Ventilating Engineer. Improved method of roof extract ventilators.*

Extract from Specification.—Figure 1 is the plan. An arrangement of vanes being fixed on a base *a* and continuing upwards to ceiling of ventilator. The inside portion of the four vanes *e* are each filled with a circular vane, and act as four solid pillars. These additional vanes prevent any foul air lodging in the recess *e*, as in the old construction, and therefore quickly guide out the air, and so greatly increase the extracting power of the ventilator. From *e* to *f*, as shown, or from *f* to *f*, perforated zinc, wire netting, or any other substance is fixed to prevent birds nesting or gaining an entrance.

[NOTE.—The above extract from the specification is inserted in place of the claims.]

(Specification, 1s. ; drawing, 1s.)

No. 24359.—6th May, 1908.—WILLIAM HENRY APPELBY, of Victoria Works, Bloxwich, in the County of Stafford, England, Manufacturer. Improvements in and relating to automatic couplings for all rolling-stock.

Claim.—In a coupling for rolling-stock, comprising a pair of links whose forward ends offer considerable accommodation to variation in level of trucks, pivoted on vertical axes and acting in conjunction with combined hook and buffering members, the links being arranged in action to slide against and simultaneously engage the hook members under a spring or like force while the hook and buffer members are equipped for drawing and buffering action, the operating device for effecting the movement of the links by the operation of one cable or chain only, with also a disc and lever for operating the same, and a spring catch for maintaining it in open position.

(Specification, 6s. 6d. ; drawing, 4s.)

No. 24371.—8th May, 1908.—WALTER HARCOURT PALMER, of Porsgrund, Norway, Civil Engineer. Improvements in and relating to explosives.*

Claims.—(1.) The improved explosive, consisting of perchlorate of ammonia, dinitrotoluol, nitrate of soda, and aluminium powder, with paraffin or other suitable hard wax, substantially as described. (2.) The improved explosive described.

(Specification, 2s. 6d.)

No. 24712.—9th April, 1908.—FREDERICK SAMUEL GREER, of No. 7 Market Street, Sydney, New South Wales, Australia, Manufacturer. An improved fumigating or spraying apparatus.

[NOTE.—This is an application under section 106 of the Act, the date given being the official date of the application in Australia.]

Claims.—(1.) Improved fumigating or spraying apparatus, comprising a double-action pump, a container or generating or mixing chamber, a pipe-connection between the two and a diaphragm cock or valve, and extension-pipes therefrom, substantially as described and explained. (2.) In apparatus of the class set forth, the combination with cylinder such as 7, having double-ended piston such as 8, of inlet-valves 16 and 27, and discharge-valves such as 19 and 31, and a chamber such as 24, and discharge-cone such as 21, substantially as described and explained, and as illustrated in the drawings. (3.) In apparatus of the class set forth, the combination with a container or generating or mixing chamber such as 38, having pipes 43 and 44 therein, of a cock such as 36 connecting to said pipes, and having a diaphragm such as 40, substantially as described and explained, and as illustrated in the drawings. (4.) The combination and arrangement altogether of the mechanical parts or integers, comprising an improved fumigating or spraying apparatus, substantially as described and explained, and as illustrated in the drawings.

[NOTE.—This application is regazetted on account of an error in the title. For drawing, see *Gazette* No. 79, of the 15th October, 1908.]

(Specification, 6s. ; drawing, 2s.)

No. 24877.—2nd September, 1908.—CHARLES FREDERICK FOX ALLAN, of Bourke Street, Waterloo, Sydney, New South Wales, Australia, Range-maker. An improved portable insulated cabinet oven.

Claims.—(1.) The general arrangement, construction, and combination of parts in the improved portable insulated cabinet oven, as specified. (2.) In a cabinet oven, two skins with insulating material packed between the skins, in combination with an innermost skin inclosing the baking-chamber, the space between the inner and innermost skins constituting the flues and baffle-plates within the flues, whereby the heated gases of combustion shall be forced to take a serpentine course as set forth.

[Here follow two other claims.]

(Specification, 2s. 6d. ; drawing, 1s.)

No. 24904.—10th September, 1908.—THOMAS BALLINGER AND Co., LIMITED, of Victoria Street, Wellington, New Zealand, Plumbers (assignees of Thomas Ballinger, of Victoria Street, Wellington, New Zealand). An improvement in cinder-sifters.

Claims.—(1.) In combination with a cinder-sifter of the class described, a conical bottom to the sieve, substantially as set forth. (2.) In a cinder-sifter of the class described, wires extending across and bent upwards to the centre of the sieve, and a conical bottom supported by the wires, substantially as set forth.

(Specification, 2s. ; drawing, 1s.)

No. 24999.—29th September, 1908.—ARTHUR HARRY WRIGHT, WILLIAM MORTON, and JOHN HERCUS, all of Princes Street, Dunedin, New Zealand, Inventors. Improved protection-lock.

Claims.—(1.) In bags that can be locked with a chain and padlock, the combination of the lock having slits for the said chain, and snapping shut, with a strap over the keyhole and a protection for said strip, all substantially as shown on the drawing and as described and as explained. (2.) In lock-protectors for any description of lock or padlock, an escutcheon

capable of snapping over the keyhole of the said lock, with a strip over its keyhole and a protection to said strip, all substantially as set forth. (3.) A cover or lock capable of either clasping a band, cord, chain, or hasp, with a strip laid over the keyhole but under the cover, and a sliding protection to said strip to prevent accident to it, all substantially as set forth. A cover or lock laid over the keyhole of another lock to be protected, with a strip covering its keyhole and a sliding protector to said strip, substantially as set forth.

(Specification, 2s. 6d. ; drawing, 1s.)

No. 25071.—13th October, 1908.—JOHN MITCHELL, of National Chambers, Swanson Street, Auckland, New Zealand, Architect. An improved building-plaster.

Claims.—(1.) A composition of matter consisting of water, white limestone crushed to produce sand, siliceous sand, and cement, substantially as set forth. (2.) A composition of matter consisting of white limestone crushed to produce sand four parts, and cement one part, and water to make into consistency of plaster, substantially as set forth.

(Specification, 1s. 6d.)

No. 25079.—15th October, 1908.—ETNAE VIGGO SCHOU, of Torrens House, North Common Road, Ealing, Middlesex, England, Manager. Improvements in or relating to the manufacture of soap.

Claims.—(1.) The treatment of fluid soap according to which it is simultaneously and instantaneously formed into a very thin layer, and crystallized throughout its entire thickness by passing the fluid soap between two cooled rollers spaced very slightly apart, and rotating in opposite directions and at equal speeds, the layer or film on the delivery-side of the rollers being separated into two parts or films that adhere to the rollers, one to each, and which parts or films are removed from the rollers as flakes, scales, or sheets. (2.) In the method of treating soap according to the preceding claim, subjecting the soap to the action of roller surfaces cooled to minus 12° Centigrade or thereabouts. (3.) In the method of treating soap according to claim 1 or claim 2, the employment of rollers spaced apart from two millimeters to one-third of a millimeter or thereabouts, the latter by preference. (4.) Soap solidified, and crystallized, and free from added salts or the like as set forth, such soap being produced substantially as described.

(Specification, 8s.)

No. 25080.—15th October, 1908.—VINCENT O'DONNELL, of Willaura, Victoria, Australia, Farm Labourer. Improvements in rope-making machinery.

Claims.—(1.) In combination, gearing for simultaneously turning a plurality of twister hooks, catches, or the like, adapted to hold strands, gearing for turning an intermediate hook, catch, or the like, also adapted to hold the said strands, and an intermediate plate or the like adapted to hold each strand separate from the others, and prevent the strands from uniting at the twister-hook side of the plate. (2.) Rope-making mechanism comprising an intermediate handle as *s*, gearing to be operated thereby, an intermediate twisting-member as *g* to be turned by said gearing, a tension-connecting member as *u*, and a steadying handle or support as *t*. (3.) In combination with a supporting paying-out device, the intermediate and end-twisting mechanisms described, having each handles, gear-wheels, and means for strand-connection, and between them a plate having means to retain a plurality of strands in separate positions as aforesaid. (4.) In rope-making means, the supporting-device shown in Fig. 4 to put tension on and allow paying out of a connection to intermediate twisting mechanism, constructed substantially as illustrated.

(Specification, 6s. ; drawing, 1s.)

No. 25086.—16th October, 1908.—FREDERICK CAPEL BROWN, of Waihi, Auckland, New Zealand, Mining Engineer. Improvements in apparatus for heating metal tools, such as mining-drills, boring-bits, and the like.

Claims.—(1.) The method of heating metal tools, such as mining-drills and the like, by introducing the ends to be heated into a narrow channel raised to a suitable temperature by the combustion of the liquid or gaseous fuel projected

longitudinally along said channel in the manner specified, as described and illustrated. (2.) The apparatus consisting of the furnace arranged with a narrow channel longitudinally through it, a burner adapted to project liquid or gaseous fuel mixed with air along said channel, and openings into said channel for introducing the ends of the tools to be heated, for the purpose set forth, as described and illustrated. (3.) The apparatus consisting of a furnace as specified, a burner adapted to project liquid or gaseous fuel mixed with air longitudinally through said furnace, and a device for heating the air that is used in said burner in the manner specified, as for the purpose set forth, as described and illustrated. (4.) The apparatus consisting of a furnace as specified, with openings for introducing the tools to be heated, and means for closing the openings when required, a burner adapted to project liquid or gaseous fuel mixed with air longitudinally through said furnace, with or without means for heating the air supplied to said burner, in the manner and for the purpose set forth as described and illustrated.

(Specification, 5s. ; drawing, 1s.)

No. 25092.—16th October, 1908.—WILLIAM MURRAY, of Mokoreta, Wyndham, New Zealand, Inventor. An improved quick-acting shifting-spanner.

Claims.—(1.) In shifting-spanners, the combination of the usual fixed head and the usual movable one worked with a worm, but with means to put the said worm out of gear with the rack, and so quickly slide the movable head to approximately its desired position, all substantially as shown on the drawing, and as described and explained. (2.) In shifting-spanners, in combination, a fixed head and a head composed of a saddle-like piece free to move on the handle of the spanner, with a sliding inner saddle-like piece carrying the worm, but provided with a spring and means of pressing the said worm out of gear with the teeth of the usual rack, for rapid movements of the movable head, when the worm will automatically and normally engage the said teeth, and can be used for the finer adjustments, all substantially as set forth. (3.) In the movable head of a shifting-spanner, a worm so fixed to slide on a frame within the head that it normally engages its rack, and can be pushed closer to the fixed head, but if desired to be placed farther from it, pressure on the parts of the movable head disengages the worm from gear, allowing the head to slide freely in either direction, and release of the pressure allows a spring to re-engage the worm in gear, all substantially as set forth.

(Specification, 2s. 6d. ; drawing, 1s.)

No. 25101.—21st October, 1908.—THOMAS EDWARDS, of Webster Street, Ballarat, Victoria, Australia, Metallurgist. Improvements in and relating to mechanically actuated rabblers of ore-roasting and other furnaces.

Claims.—(1.) A mechanically actuatable furnace-rabblar adapted to be internally water-cooled, provided with external heat-non-conducting fireproof material for affording protection within the furnace as indicated. (2.) In combination with a furnace-rabblar, a foot having protective heat-non-conducting material combined with it, and with part of the stem adjoining said foot. (3.) In combination with a furnace-rabblar, a series of projections adapted to receive a protective heat-non-conducting fireproof covering. (4.) In a furnace-rabblar, projections cast upon it, some or all of them having heads substantially as and for the purpose indicated. (5.) In a furnace-rabblar having heat-non-conducting fireproof material combined therewith, devices for retaining said material more securely, consisting of webbing, ribbing, apertures, wires, netting, or some of the said devices combined, or the like. (6.) A rabblar to be water-cooled and to carry stirring shoes or tines, and having part of the foot above the tines covered with protective material as aforesaid, and also part of the stem adjoining said foot.

(Specification, 6s. ; drawing, 1s.)

No. 25102.—21st October, 1908.—PETER ROGER HUGHES, of Waterloo Street, Geelong, Victoria, Australia, Storeman. Securing the tops of bales of wool.

Claims.—(1.) Securing the tops of bales of wool with metal fasteners before removal from the press, substantially as set forth. (2.) Securing the tops of bales of wool by the use of temporary forks, folding over opposite pairs of flaps of the woolpack after the monkey-plate of the press is raised, and

fastening same with metal hook fasteners, substantially as set forth. (3.) Securing the tops of bales of wool by temporarily securing the sides of the woolpack and the loose top with forks having curved teeth, folding over opposite pairs of the flaps after the monkey-plate of the press is raised, and securing the bale with metal hook fasteners, substantially as set forth. (4.) In the securing of tops of bales of wool, the use of hook fasteners adapted to receive a selvage edge of the woolpack, substantially as set forth. (5.) In the securing of tops of bales of wool, the use of hooks consisting of an approximately U-shaped piece of wire bent back twice, and having projecting points, substantially as set forth.

(Specification, 3s. ; drawing, 1s.)

No. 25129.—27th October, 1908.—JOHN MASON, Gentleman, of Sebastopole, Sonoma, California, United States of America. Improvements in gate-latches.

Claims.—(1.) In a gate, the combination with a latch, of a convexed plate having a convergent notch in the lower surface to receive the latch, a plate fixed to the gate-post having segmental slots contiguous to its opposite edges, pins projecting from the convexed plate and movable loosely in said slots, and a guard-plate carried by said slotted plate, having one portion to project in front of the catch and having another portion to extend up in rear of the slotted plate. (2.) The combination with a latch, of a catch having a convexed lower surface and a convergent notch in the bottom and centre to engage the latch, a plate having segmental slots at opposite edges, pins projecting from the catch and movable loosely within said slots, and a guard-plate extending downwardly outside of the catch, said guard-plate being bent, having one portion to extend down over the front of the catch, and having another portion extending to the rear of the slotted plate and upwardly along the same, and secured to said plate. (3.) In a latching-device for gates, a latch-piece carried upon the outer swinging gate-post, a plate having segmental slots near its edges, means for securing said plate to the fixed post near which the gate swings, said plate having vertical channels made in the rear face and opening through the plate from the bottom of said channels, a catch having a notch in the lower part with which the latch is engageable, pins extending into the curved slots of the fixed plate, about which pins the catch is tiltable, and a guard-plate having the lower part extending in front of the catch, thence bent inwardly and having arms extending through the openings in the fixed plate and upwardly within the channels thereof.

(Specification, 5s. ; drawing, 1s.)

No. 25132.—24th October, 1908.—JAMES DOWSON JACKSON, Plumber, of 10 Green Street, Windsor, Victoria, Australia, and JOHN THOMAS METTERS and CHARLES HENRY METTERS, Stove-manufacturers, both of 229 Elizabeth Street, Melbourne, Victoria aforesaid. Improvements in gas cooking-stoves.

Claims.—(1.) In improvements in gas cooking-stoves, means for passing downwardly and around an oven the heated fumes from a burner, or directing said fumes to a small extent of the stove-top, or confining said fumes in their range to the whole of said top as or when necessity so demands, substantially as specified. (2.) In improvements in gas cooking-stoves, means for instantly conserving as or when desired the heated fumes from a burner within a flame-chamber, or within a top flue, or causing said heated fumes to envelope an oven by travelling downwardly and around the same, and means for allowing accidental explosion to find vent in the stove-ends, substantially as specified.

[NOTE.—Here follow ten other claims.]

(Specification, 9s. 6d. ; drawing, 1s.)

An asterisk (*) denotes the complete specification of an invention for which a provisional specification has been already lodged.

NOTE.—The cost of copying the specification and drawing has been inserted after the notice of each application. An order for a copy or copies should be accompanied by a post-office order or postal note for the cost of copying.

The date of acceptance of each application is given after the number.

Extracts from the drawings accompanying the foregoing complete specifications appear at the end of this *Gazette*.

J. C. LEWIS,
Registrar.

Provisional Specifications accepted.

Patent Office,
Wellington, 25th November, 1908.

APPLICATIONS for Letters Patent, with provisional specifications, have been accepted as under:—

- No. 25019.—J. Brenan, vehicle under-carriage.
No. 25099.—W. Burrell, rabbit-crate.
No. 25118.—S. D. McMiken, metallurgical furnace.
No. 25131.—C. R. H. Neich and L. Mossong, reversible carriage-seat.
No. 25133.—E. W. Coleman, driving-gear.
No. 25137.—J. O. Suckling, flushing mechanism for water-closets.
No. 25138.—W. Carr and A. Spooner, power-transmission.
No. 25153.—W. V. Page, attaching labels to fabrics.
No. 25155.—P. Dow, distance-measurer for bowls.
No. 25159.—A. E. Johnson and W. B. Bailey, ink.
No. 25160.—J. C. Russell and A. F. Lord, splicing-ear for electricity-conductors.
No. 25161.—W. H. Anscombe, wire-splice shield.
No. 25164.—J. A. Paterson, hydrocarbon-gas production.
No. 25165.—J. C. Russell and A. F. Lord, tramway-insulator.
No. 25167.—H. Smart, spouting-bracket.
No. 25171.—J. Macmeikan, cool chamber. (R. Rayson.)
No. 25179.—G. Nelson, refrigerator.
No. 25181.—H. A. Fox, enclosure-indicator for mail matter.
No. 25182.—R. R. Dowden and J. S. Clark, registering weight of milk, &c.
No. 25185.—J. Gray, spring-tine cultivator.
No. 25188.—V. M. Stewart, table-game apparatus.
No. 25193.—E. C. Austin, foresight for spirit-level.
No. 25199.—United Shoe Machinery Company, heel-nailing machine. (E. A. Webster.)
No. 25200.—United Shoe Machinery Company, resurfacing bed of press. (A. Bates.)
No. 25201.—United Shoe Machinery Company, controlling tool and work. (F. B. Keall.)
No. 25204.—United Shoe Machinery Company, lasting-machine. (M. Brock.)
No. 25205.—A. H. Wright, advertising, &c., display-sheet apparatus.
No. 25207.—F. Stubbs, draw-off pipe apparatus.
No. 25225.—F. Owen, oven-shelf.

[NOTE.—Provisional specifications cannot be inspected, or their contents made known by this office in any way, until the complete specifications in connection therewith have been accepted.]

Letters Patent sealed.

LIST of Letters Patent sealed from the 7th to the 21st November, 1908, inclusive:—

- No. 23217.—F. R. Simmonds, washing flax, &c.
No. 23223.—A. Campbell, fencing-standard.
No. 23241.—H. S. McCully, bird-trap.
No. 23264.—T. B. Murray, fastening for scaffold-building.
No. 23532.—M. Ruping, impregnating wood, &c.
No. 23683.—S. J. Phillips, cutting and cauterising device.
No. 23718.—P. Boll and R. Falkiner, sheep-shearing machine driving-mechanism.
No. 23775.—J. Slater, signal flag.
No. 23935.—I. R. Jensen and T. Jeffrey, flooring-compound.
No. 24209.—A. J. Stieber, swing-chair.
No. 24589.—W. and J. E. Hardwick, horse-collar.
No. 24613.—A. R. Rann and H. Collins, curtain-raising, &c., apparatus.
No. 24614.—W. Turnbull, water-closet, &c., flusher.
No. 24668.—F. Wright, hat-manufacture.

Letters Patent on which Fees have been paid.

[NOTE.—The dates are those of the payments.]

SECOND-TERM FEES.

- No. 18461.—F. R. Hyde, acetylene gas generator. 14th November, 1908.
No. 18804.—E. C. Blackstone and R. E. Watts, swath-turner. 21st November, 1908.
No. 18818.—A. Z. Clark, ore-treatment. 18th November, 1908.
No. 18821.—H. H. Nicholson, bird-trap. 10th November, 1908.
No. 18859.—T. Gare, wood, &c., treatment. 18th November, 1908.

No. 18875.—The Lamson Store Service Company, Limited, parcel, &c., conveyor. (E. S. Baldwin and H. H. Rayward—E. C. Phillips.) 12th November, 1908.

No. 19002.—Aktiebolaget Separator, centrifugal separator. (A. J. Ericsson.) 12th November, 1908.

No. 19106.—J. Ramage, J. Green, and W. L. Yates, acetylene-gas generator, &c. 23rd November, 1908.

THIRD-TERM FEES.

No. 14217.—American Key Can Company, soldering cans. (F. P. McColl.) 13th November, 1908.

No. 14218.—Andrews and Beaven, Limited, bag-gripping apparatus. (W. Andrews and A. W. Beaven—C. Anketell.) 10th November, 1908.

No. 14254.—J. A. Paterson, hydrocarbon-gas producer. (W. T. Purves.) 18th November, 1908.

No. 14480.—The Wilfley Ore-concentrator Syndicate, Limited, ore-concentrator. (A. R. Wilfley.) 21st November, 1908.

No. 15741.—J. T. Steele, binding, &c., paper-sheets. 21st November, 1908.

Subsequent Proprietors of Letters Patent registered.

[NOTE.—The name of the former proprietor is given in brackets; the date is that of registration.]

No. 21000.—Hal Goodaere, of Courtney Street, New Plymouth, in the Dominion of New Zealand, Boot-manufacturer, rubber-heel fitting. (L. Robertson and F. Blackburn.) 20th November, 1908.

Applications for Letters Patent abandoned.

LIST of applications, with which provisional specifications only have been filed, abandoned (*i.e.*, complete specifications not lodged) from the 10th to the 23rd November, 1908, inclusive:—

No. 23914.—C. B. Mann, notice-plate for letter-box.

No. 23916.—A. J. Smith, axle-box lubricator.

No. 23918.—R. M. and A. Maunders, cool chamber or safe.

No. 23924.—D. J. Whelan, tip-wagon.

No. 23925.—H. Quertier, track-cleaner.

No. 23933.—G. Cummins, wool-press.

No. 23934.—H. August, wool-pack.

No. 23936.—W. A. W. Nicol, repairing motor-cases for electric cars.

Applications for Letters Patent void.

APPLICATIONS for Letters Patent, with which complete specifications have been lodged, void owing to non-acceptance of such complete specifications, from the 10th to the 23rd November, 1908, inclusive:—

No. 23283.—J. Shea, fly-catcher.

No. 23320.—C. S. and J. A. Challiner, tire.

No. 23344.—C. H. Mason, ventilating-cowl.

Applications for Letters Patent lapsed.

APPLICATIONS for Letters Patent lapsed, owing to Letters Patent not being sealed, from the 10th to the 23rd November, 1908, inclusive:—

No. 22799.—C. C. Cameron, sledge.

No. 22836.—G. E. Noonan, A. P. F. and G. D. Watson, attaching weights to trotting-horses' hoofs.

Application for Letters Patent withdrawn.

THE following application for Letters Patent has been withdrawn:—

No. 24772.—J. A. Paterson, gas-production (advertised in Supplement to *New Zealand Gazette*, No. 69, of the 3rd September, 1908.)

Request to amend Specification allowed.

THE request to amend Specification No. 23453, Suttie and Wynyard, flax-catcher (advertised in Supplement to *New Zealand Gazette*, No. 64, of the 20th August, 1908), has been allowed.

Letters Patent void.

LIST of Letters Patent void through non-payment of renewal fees, and through expiry of term of fourteen years, from the 10th to the 23rd November, 1908, inclusive:—

THROUGH NON-PAYMENT OF SECOND-TERM FEES.

No. 18301.—The Hamilton Manufacturing Company, locomotive-car puller. (W. E. Hamilton.)

No. 18302.—The Hamilton Manufacturing Company, loading-machine. (W. E. Hamilton.)

No. 18305.—F. W. Grocke, fire-tongs.

No. 18323.—T. M. Park, ore loader.

No. 18325.—E. Guess, cash-checker.

No. 18327.—L. Buck, power-transmitter.

No. 18328.—M. J. Tehan, reaper and binder.

No. 18330.—A. P. Richmond, disease-treating apparatus.

No. 18336.—J. J. Daily, tire.

No. 18339.—E. G. D. McMaster, turnip-trimmer.

No. 18356.—N. Rasmussen, machinery-belt fastener.

No. 18357.—W. M. Richards, C. J. Cohen, and R. Thomas, earth-closet.

No. 19121.—R. K. Parkerson, water-motor.

THROUGH NON-PAYMENT OF THIRD-TERM FEES.

No. 18917.—E. R. Atkin, switchback.

THROUGH EXPIRY OF TERM.

Nil.

Designs registered.

DESIGNS have been registered in the following names on the dates mentioned:—

No. 412.—The Dunlop Rubber Company of Australasia, Limited, whose registered office is at No. 108 Flinders Street, Melbourne, in the State of Victoria, Commonwealth of Australia. Class 12. 4th November, 1908.

Nos. 413 and 414.—Francis McLaughlin, Wellington, New Zealand, Go-cart Fitter. Class 1. 12th November, 1908.

No. 415.—Francis Hugh Thornton, of Kingsthorpe Hall, Gentleman; Daniel Arthur Berry, of Angel Lane, Manufacturer; and Joseph Henry Brown, of 104 Earl Street, Shoemaker's Foreman; all of Northampton, England. Class 10. 18th November, 1908.

Nos. 416 and 417.—J. and T. Muir, Leveson Street, North Melbourne, in the State of Victoria, Commonwealth of Australia, Ironfounders. Class 1. 18th November, 1908.

Design expired.

THE copyright in the following design has expired:—

No. 198.—J. Hair, Oamaru, New Zealand, plate for trotting-horse.

Applications for Registration of Trade Marks.

Patent Office,
Wellington, 25th November, 1908.

APPLICATIONS for registration of the following Trade Marks have been received. Notice of opposition to the registration of any of these applications may be lodged at this office within two months of the date of this *Gazette*. Such notice must be in duplicate, and accompanied by a fee of £1.

No. of application: 7327.

Date: 19th May, 1908.

TRADE MARK.



The essential particular of this trade mark is the distinctive label.

NAME.

DAINTIES LIMITED, a company incorporated under "The Companies Act, 1903," and carrying on business at Lichfield Street, Christchurch, in the Dominion of New Zealand, as Wholesale Manufacturing Confectioners.

No. of class: 42.

Description of goods: Confectionery, biscuits, tea, coffee, cocoa, jams, and pickles.

No. of application: 7618.

Date: 16th October, 1908.

TRADE MARK.



NAME.

CARL OTTO JOSEPHSON, of 52 Cuba Street, Wellington, in the Dominion of New Zealand, Clothier.

No. of class: 38.

Description of goods: Shirts, hats, and clothing generally.

No. of application: 7629.

Date: 22nd October, 1908.

TRADE MARK.



The essential particular of this trade mark is the distinctive label.

B

NAME.

BALSA HERMANOS, of Vera Cruz, Mexico, Cigar-manufacturers.

No. of class: 45.

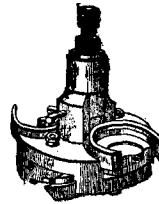
Description of goods: Tobacco (unmanufactured or manufactured), cigars, and cigarettes.

No. of application: 7632.

Date: 22nd October, 1908.

TRADE MARK.

THE SHIMER



The essential particular of this trade mark is the following—the device; and applicants disclaim any right to the exclusive use of the added matter, save and except their name.

NAME.

SAMUEL J. SHIMER AND SONS, residing and doing business in Milton, in the County of Northumberland, in the State of Pennsylvania, United States of America, Manufacturers.

No. of class: 6.

Description of goods: Woodworking-machines.

No. of application: 7641.

Date: 28th October, 1908.

TRADE MARK.



NAME.

RECKITT'S (OVER SEA), LIMITED, of 43 King's Chambers, Wellington, in the Dominion of New Zealand.

No. of class: 50.

Description of goods: Boot-polish, blacking for boots and shoes, black-lead, metal-polish, enamel for stoves, knife-polish, furniture-cream, and other analogous articles included in this class.

No. of application : 7648.
Date : 4th November, 1908.

TRADE MARK.

The words

“SAL HEPATICA.”

NAME.

BRISTOL-MYERS COMPANY, a corporation organized under the laws of the State of New York, United States of America, of 277 and 279 Greene Avenue, Brooklyn, New York aforesaid, Manufacturing Chemists.

No. of class : 3.
Description of goods : A medicine for human use.

No. of application : 7651.
Date : 4th November, 1908.

TRADE MARK.

The word

“ANTI-TRUST.”

NAME.

COMMONWEALTH OIL CORPORATION, LIMITED, of Equitable Building, George Street, Sydney, New South Wales, in the Commonwealth of Australia.

No. of class : 47.
Description of goods : Heating-oils, illuminating-oils, lubricating-oils, power-oils, petroleum spirits, paraffine wax, candles, and greases.

No. of application : 7655.
Date : 6th November, 1908.

TRADE MARK.



NAME.

GILLETTE SAFETY-RAZOR COMPANY, a corporation organized under the laws of the State of Maine, in the City of Boston, Massachusetts, United States of America, Manufacturers.

No. of class : 48.
Description of goods : Shaving-sticks, talcum-powders, facial creams, toilet-preparations.

No. of application : 7656.
Date : 6th November, 1908.

TRADE MARK.

(The mark as shown in preceding notice, No. 7655.)

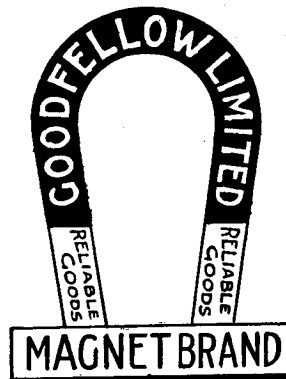
NAME.

GILLETTE SAFETY-RAZOR COMPANY, a corporation organized under the laws of the State of Maine, in the City of Boston, Massachusetts, United States of America, Manufacturers.

No. of class : 50.
Description of goods : Shaving-brushes, hair and clothes brushes, toilet-brushes, combs.

No. of application : 7662.
Date : 10th November, 1908.

TRADE MARK.



The essential particular of this trade mark is the device of a magnet; and any right to the exclusive use of the added matter is disclaimed.

NAME.

GOODFELLOW LIMITED, of Hamilton, in the Dominion of New Zealand, Merchants.

No. of class : 6.
Description of goods : Machinery of all kinds and parts of machinery, except agricultural and horticultural machines included in Class 7, such as steam-engines, boilers, pneumatic machines, hydraulic machines, locomotives, sewing-machines, weighing-machines, fire-engines, and typewriters, machine-tools, mining machinery.

No. of application : 7664.
Date : 11th November, 1908.

TRADE MARK.

The words

CAMEL HAIR

The applicants claim that the said trade mark has been in use by them and their predecessors in business in respect of the articles mentioned from before the 1st January, 1890.

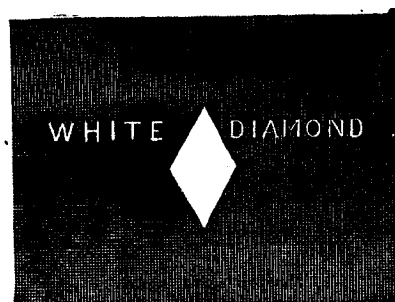
NAME.

F. REDDWAY AND Co., LIMITED, of Victoria Mills, Cheltenham Street, Pendleton, Manchester, in the County of Lancaster, England, Manufacturers.

No. of class : 35.
Description of goods : Driving-belts and carrying-belts, and aprons for machinery.

No. of application : 7665.
Date : 11th November, 1908.

TRADE MARK.



NAME.

WHITFIELDS BEDSTEADS, LIMITED, of Watery Lane, Birmingham, in the County of Warwick, England, Manufacturers.

No. of class: 41.

Description of goods: Bedsteads and wire mattresses.

No. of application: 7666.

Date: 11th November, 1908.

TRADE MARK.

The words

"LIBERTY CYMRIC JEWELLERY."

The essential particulars of this trade mark are the words "Liberty Cymric"; and any right to the exclusive use of the word "Jewellery" is disclaimed.

NAME.

LIBERTY AND Co. (CYMRIC), LIMITED, of 28 Warwick Street, Regent Street, London, England.

No. of class: 14.

Description of goods: Jewellery.

No. of application: 7667.

Date: 11th November, 1908.

TRADE MARK.



NAME.

LIBERTY AND Co., LIMITED, of Gresham House, Regent Street, London, England.

No. of class: 24.

Description of goods: Cotton piece-goods of all kinds.

No. of application: 7668.

Date: 11th November, 1908.

TRADE MARK.

(The mark as shown in preceding notice, No. 7667.)

NAME.

LIBERTY AND Co., LIMITED, of Gresham House, Regent Street, London, England.

No. of class: 31.

Description of goods: Silk piece-goods.

No. of application: 7669.

Date: 11th November, 1908.

TRADE MARK.

The words

"LIBERTY TUDRIC PEWTER."

The essential particulars of this trade mark are the words "Liberty Tudric"; and any right to the exclusive use of the word "Pewter" is disclaimed.

NAME.

LIBERTY AND Co. (CYMRIC), LIMITED, of 28 Warwick Street, Regent Street, London, England.

No. of class: 14.

Description of goods: Pewterware.

No. of application: 7671.

Date: 13th November, 1908.

TRADE MARK.

The word

"PRAIRIE."

NAME.

LOUISA HAWKINS, of 106 George Street, Dunedin, in the Dominion of New Zealand, Herbalist.

No. of class: 3.

Description of goods: Chemical substances prepared for use in medicine and pharmacy and medicated articles.

No. of application: 7672.

Date: 16th November, 1908.

TRADE MARK.

The word

"M O A."

NAME.

MOORE MANUFACTURING COMPANY, LIMITED, Registered Office 25 Moray Place, Dunedin, in the Dominion of New Zealand, Proprietors and Manufacturers of Moore's Patent Improved Washboard, and General Woodworkers and Steam Benders.

No. of class: 50.

Description of goods: Woodwork and washboards.

No. of application: 7673.

Date: 16th November, 1908.

TRADE MARK.

The word

"CONQUEROR."

NAME.

P. HAYMAN AND Co., of Victoria Street, Wellington, in the Dominion of New Zealand, Merchants.

No. of class: 10.

Description of goods: All articles in the class.

NOTE.—Class 10 is for "Horological instruments."

No. of application : 7674.
Date : 16th November, 1908.

TRADE MARK.

The word

"CONQUEROR."

NAME.

P. HAYMAN AND Co., of Victoria Street, Wellington in the Dominion of New Zealand, Merchants.

No. of class : 12.

Description of goods : All articles in the class, except razors.

NOTE.—Class 12 is for "Cutlery and edge tools, such as knives, forks, scissors, shears, files, saws."

No. of application : 7675.
Date : 16th November, 1908.

TRADE MARK.

The word

"CONQUEROR."

NAME.

P. HAYMAN AND Co., of Victoria Street, Wellington, in the Dominion of New Zealand, Merchants.

No. of class : 48.

Description of goods : All articles in the class, including toilet rolls and packets.

[NOTE.—Class 48 is for "Perfumery (including toilet articles, preparations for the teeth and hair, and perfumed soap)."]

No. of application : 7676.
Date : 16th November, 1908.

TRADE MARK.

The words

"THE U.S. ARMY KITE, AMERICAN EAGLE."

The essential particular of this trade mark is the word "Eagle"; and any right to the exclusive use of the added matter is disclaimed.

NAME.

JAMES RODGER AND Co., of 131 Cashel Street, Christchurch, in the Dominion of New Zealand.

No. of class : 49.

Description of goods : A kite, or frame of wood and paper for flying in the air.

No. of application : 7677.
Date : 18th November, 1908.

TRADE MARK.

The word

"CARNATION."

NAME.

COLLETT AND Co., of New Plymouth, in the Dominion of New Zealand, Dairy-produce Merchants.

No. of class : 42.

Description of goods : Butter and cheese.

No. of application : 7683.
Date : 19th November, 1908.

TRADE MARK.



The essential particulars of the trade mark are the following—the combination of devices and the words "Golden Poppy"; and the applicants disclaim any right to the exclusive use of the added matter, except in so far as it consists of the name of their predecessors in business, "W. D. and H. O. Wills."

NAME.

BRITISH-AMERICAN TOBACCO COMPANY, LIMITED, Registered Office, Cecil Chambers, 86 Strand, London W.C., England, Tobacco-manufacturers.

No. of class : 45.

Description of goods : Manufactured tobacco.

No. of application : 7684.
Date : 19th November, 1908.

TRADE MARK.

The word

"GIPSY."

NAME.

HARGREAVES BROS. AND Co., LIMITED, of Kent Street, Hull, Yorkshire, England, Blacklead and Blue Manufacturers.

No. of class : 50.

Description of goods : Blacklead, and other preparations for polishing fire-ranges, stoves, grates, and ironwork.

No. of application : 7688.
Date : 19th November, 1908.

TRADE MARK.

Rexona
THE RAPID HEALER

The essential particular of this trade mark is the coined word "Rexona"; and any right to the exclusive use of the words "The Rapid Healer" is disclaimed.

NAME.

LAXO-TONIC PILL COMPANY, of 15 O'Connell Street, Sydney, New South Wales, Commonwealth of Australia, Manufacturers of Proprietary Medicines.

No. of class : 3.

Description of goods : Ointment.

J. C. LEWIS,
Registrar.

Trade Marks registered.

LIST of Trade Marks registered from the 8th November to the 24th November, 1908, inclusive :—

- No. 5929/7483.—Sargood, Son, and Ewen, Limited. Class 38. (*Gazette* No. 64, of the 20th August, 1908.)
 No. 5930/7411.—Wallaert Freres. Class 23. (*Gazette* No. 54, of the 9th July, 1908.)
 No. 5931/7010.—J. J. Montgomerie. Class 48. (*Gazette* No. 105, of the 12th December, 1907.)
 No. 5932/7516.—Great Northern Brewery, Limited. Class 43. (*Gazette* No. 69, of the 3rd September, 1908.)
 No. 5933/7371.—A. E. Shrimski. Class 38. (*Gazette* No. 54, of the 9th July, 1908.)
 No. 5934/7527.—Sharland and Co., Limited. Class 1. (*Gazette* No. 69, of the 3rd September, 1908.)
 No. 5935/7092.—E. Liggins and T. C. Froggatt. Class 37. (*Gazette* No. 64, of the 20th August, 1908.)
 No. 5936/7293.—The British Oil and Cake Mills, Limited. Class 2. (*Gazette* No. 39, of the 14th May, 1908.)
 No. 5937/7510.—R. T. Robertson. Class 43. (*Gazette* No. 64, of the 20th August, 1908.)
 No. 5938/7041.—Whittome, Stevenson, and Co., Limited. Class 42. (*Gazette* No. 102, of the 28th November, 1907.)
 No. 5939/7035.—J. Turner and Co. Class 38. (*Gazette* No. 102, of the 28th November, 1907.)
 No. 5940/7068.—J. S. Dickson. Class 38. (*Gazette* No. 2, of the 9th January, 1908.)
 No. 5941/7503.—P. Hayman and Co. Class 22. (*Gazette* No. 64, of the 20th August, 1908.)
 No. 5942/7025.—Browne and Morrison. Class 39. (*Gazette* No. 2, of the 9th January, 1908.)
 No. 5943/7514.—The Great Northern Brewery, Limited. Class 15. (*Gazette* No. 72, of the 17th September, 1908.)
 No. 5944/7515.—The Great Northern Brewery, Limited. Class 42. (*Gazette* No. 72, of the 17th September, 1908.)
 No. 5945/7131.—S. Osborn and Co., Limited. Class 5. (*Gazette* No. 49, of the 25th June, 1908.)
 No. 5946/7132.—S. Osborn and Co., Limited. Class 6. (*Gazette* No. 49, of the 25th June, 1908.)
 No. 5947/7375.—W. S. Thomson and Co., Limited. Class 38. (*Gazette* No. 49, of the 25th June, 1908.)

No. 5948/7393.—Abdulla and Co., Limited. Class 45. (*Gazette* No. 54, of the 9th July, 1908.)

No. 5949/7414.—T. A. Pruden. Class 2. (*Gazette* No. 54, of the 9th July, 1908.)

No. 5950/7433.—Gillette Safety Razor Company. Class 12. (*Gazette* No. 58, of the 23rd July, 1908.)

No. 5951/7442.—Maspero Freres, Limited. Class 45. (*Gazette* No. 61, of the 6th August, 1908.)

No. 5952/7469.—F. C. Suggate. Class 18. (*Gazette* No. 61, of the 6th August, 1908.)

No. 5953/7374.—W. S. Thomson and Co., Limited. Class 38. (*Gazette* No. 54, of the 9th July, 1908.)

No. 5954/7484.—Watson and Co. (Leek), Limited. Class 23. (*Gazette* No. 69, of the 3rd September, 1908.)

No. 5955/7431.—Napier Brewery Company, Limited. Class 43. (*Gazette* No. 72, of the 17th September, 1908.)

Trade Mark Renewal Fee paid.

FREE paid for the renewal of the undermentioned Trade Mark for fourteen years from the date first mentioned :—

No. 1312/1015.—17th November, 1908.—L. Hawkins, Dunedin, New Zealand. 13th November, 1908.

Trade Marks removed from the Register.

TRADE Marks removed from the Register owing to the non-payment of the renewal fee, from the 10th to the 23rd November, 1908, inclusive :—

No. 1211/1210.—15th August, 1894.—John Maddocks, Bradford, England. Class 24.

No. 1212/1211.—15th August, 1894.—John Maddocks, Bradford, England. Class 34.

No. 1213/1212.—15th August, 1894.—John Maddocks, Bradford, England. Class 38.

No. 1214/1153.—17th August, 1894.—J. Macey (trading as "John Grubb"), Wellington, New Zealand. Class 50.

By Authority: JOHN MACKAY, Government Printer, Wellington.

...

...

...

...

...

...

...

...

...

...

...

...

...

...

...

...

...

...

...

...

...

...

...

...

...

...

...

...

...

...

ILLUSTRATIONS OF INVENTIONS.

[These illustrations refer to the complete specifications accepted, and advertised in this *Gazette*.]

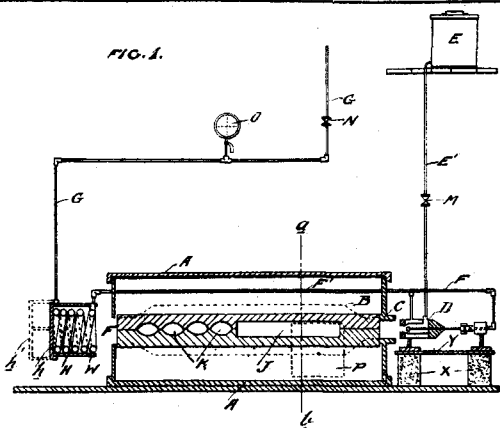
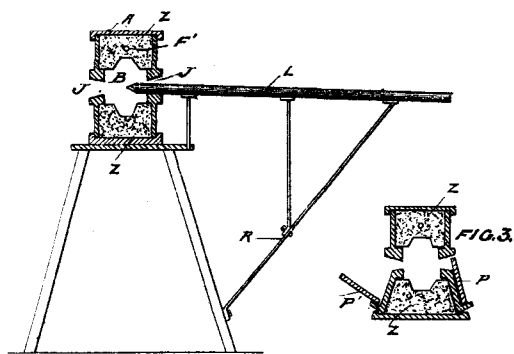
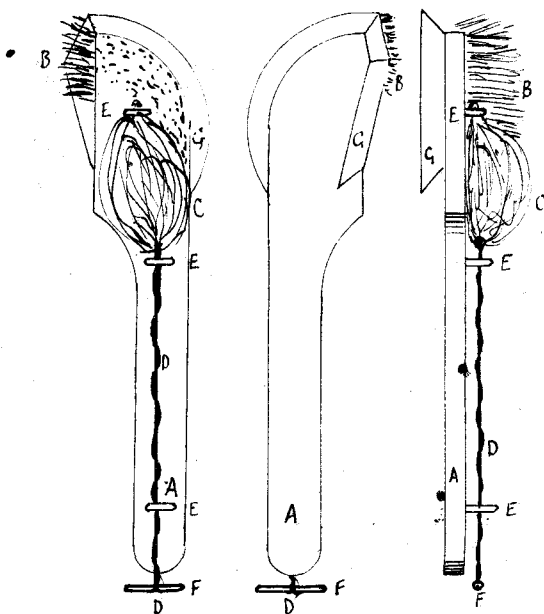


FIG. 2.



25086

Brown. Tool-heating Apparatus.



23798

Tait. Pot-cleaner.

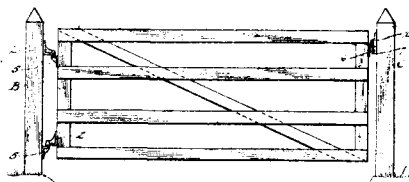


Fig. 1.

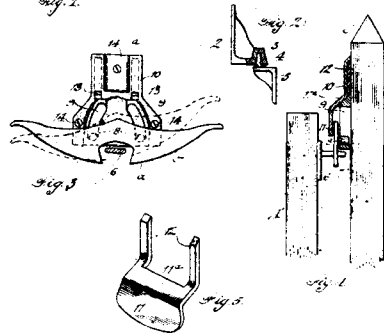


Fig. 2.

Fig. 3.

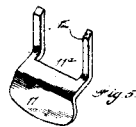
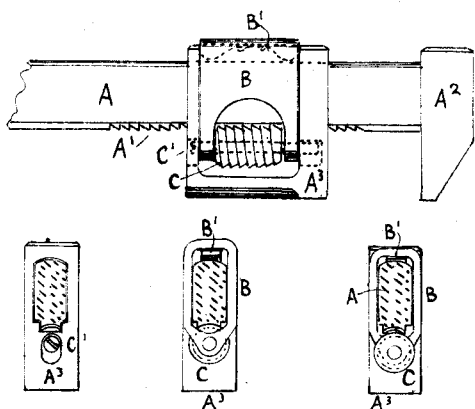


Fig. 4.

Fig. 5.

25129

Mason. Gate-latch.



25092

Murray. Spanner.

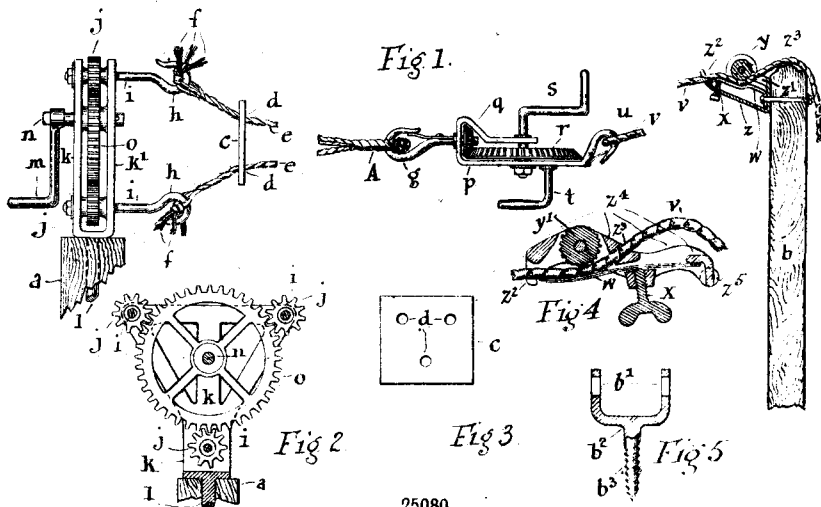


Fig 1.

Fig 2.

Fig 3.

Fig 4.

Fig 5.

25080

O'Donnell. Rope-making Machinery.

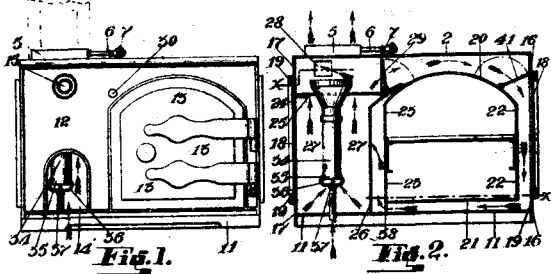


Fig. 1.

Fig. 2.

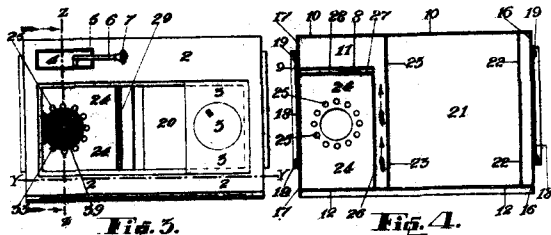


Fig. 3.

Fig. 4.

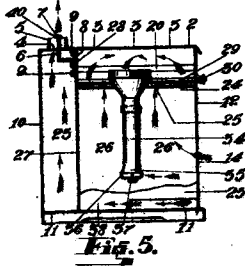


Fig. 5.

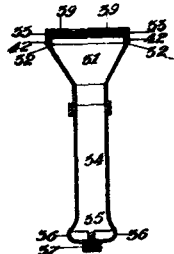
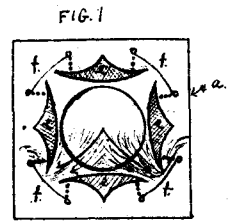
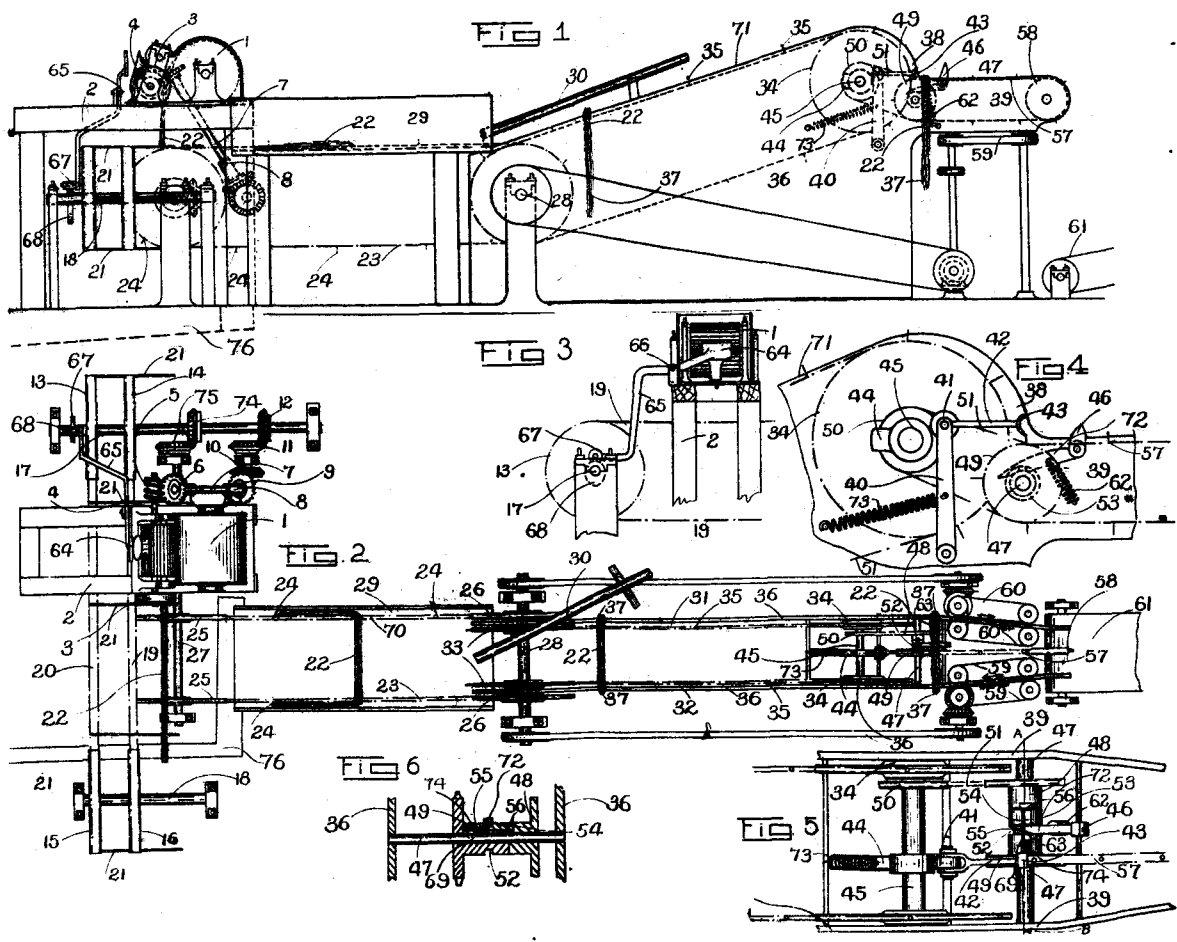


Fig. 6.

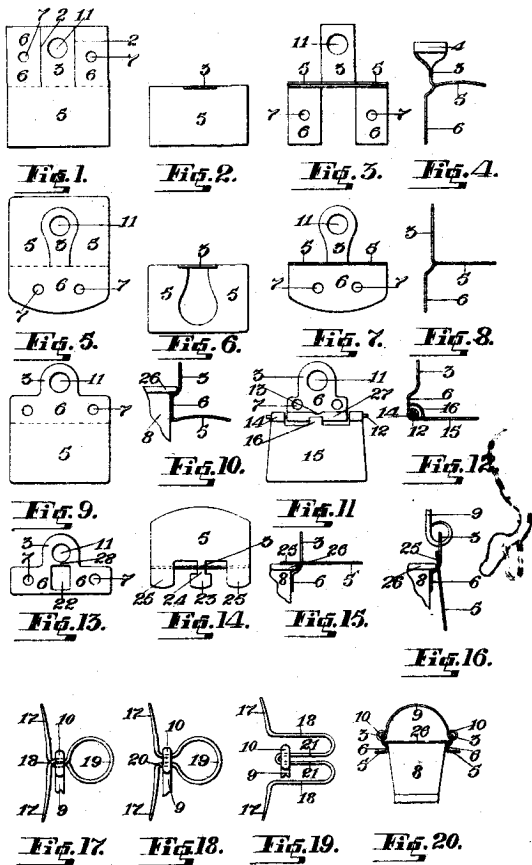
25132
Jackson, Metters, and Metters. Stove.



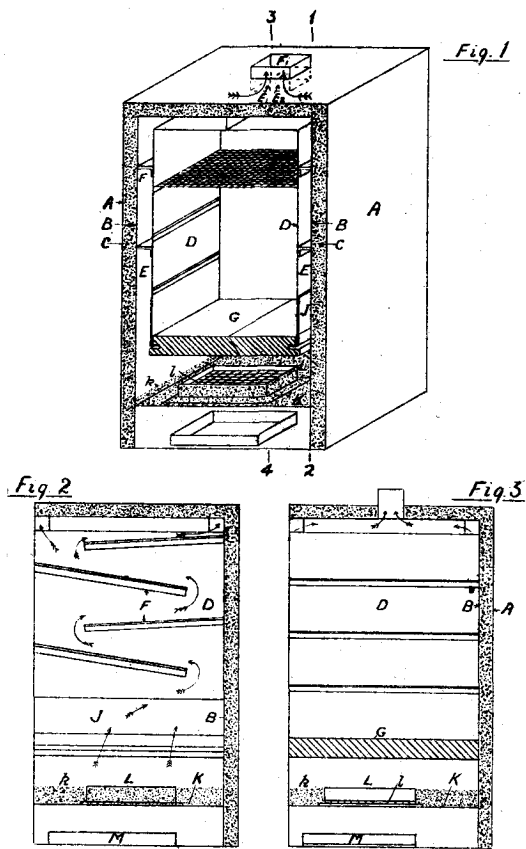
24178
Hargreaves. Ventilator.



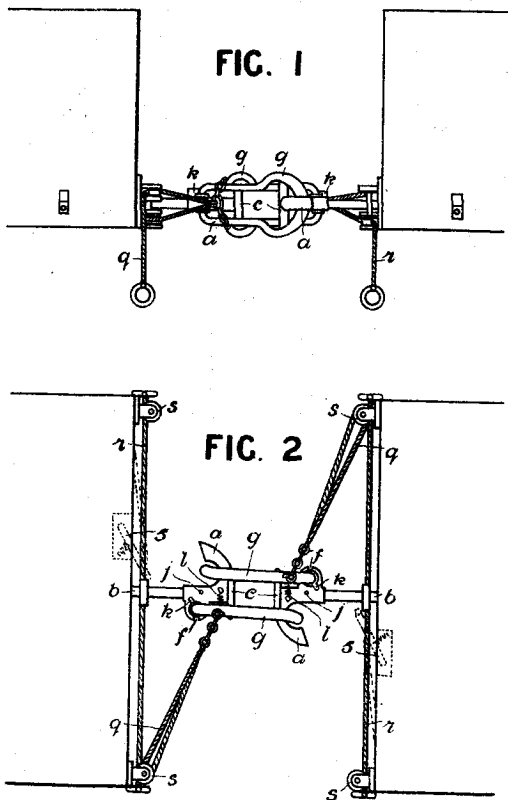
23520
Millis. Fibre-treatment.



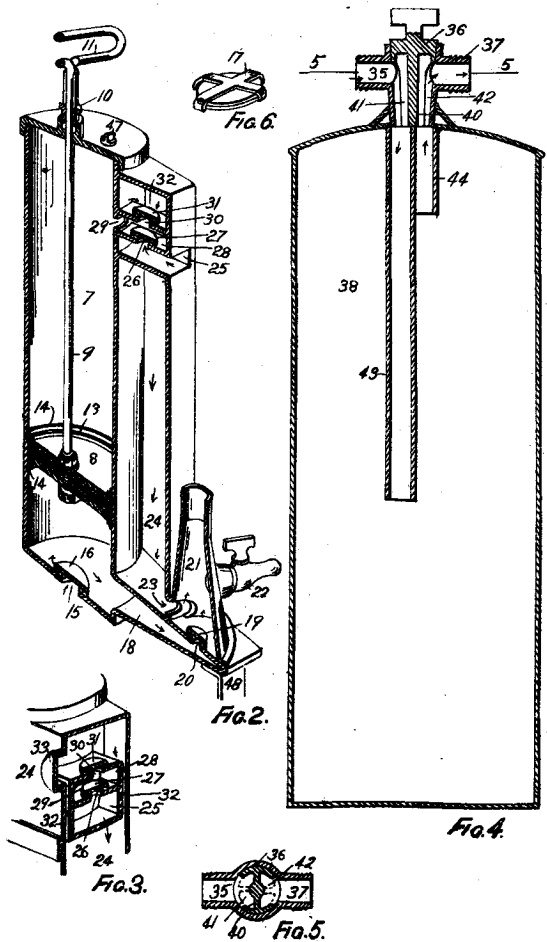
24025-
Dike. Bucket-attachment.



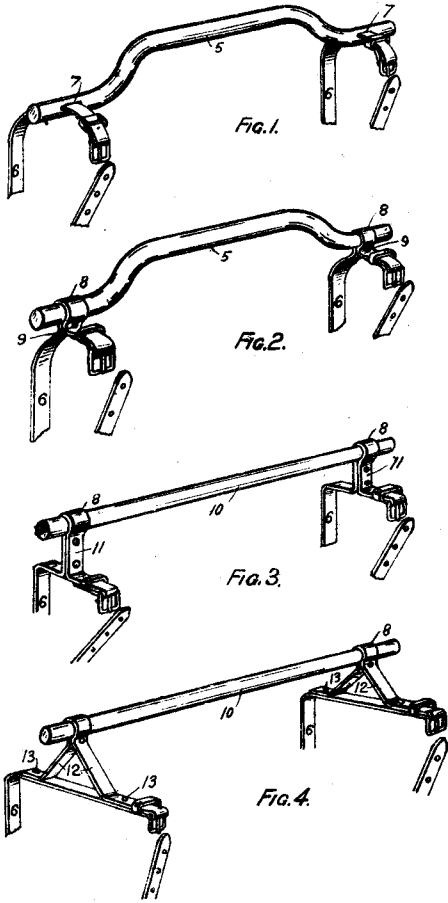
24877
Allan. Oven.



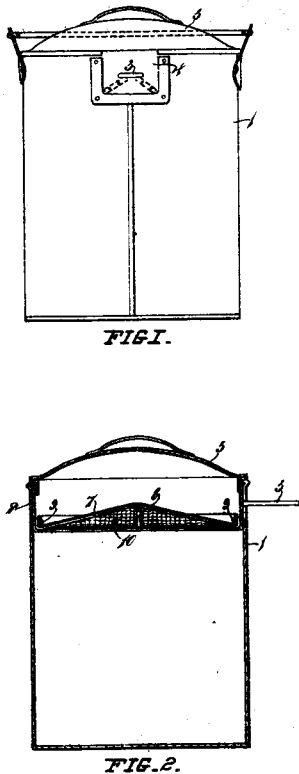
24359
Appleby. Railway Coupling.



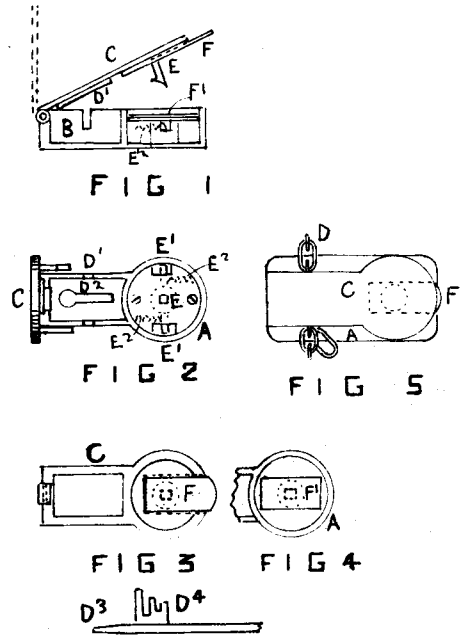
24712
Greer. Fumigator.



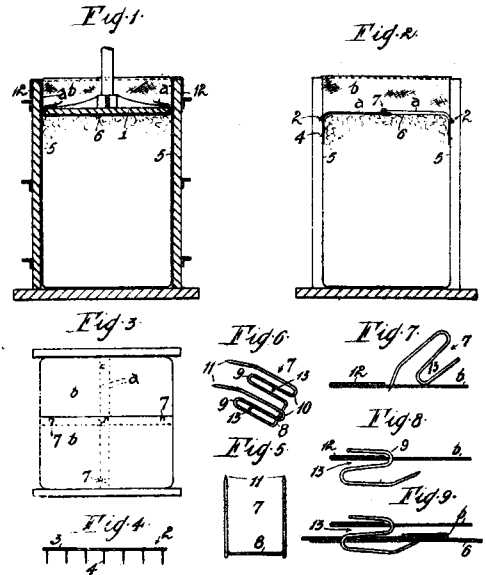
23720
Chapman. Basket-carrier.



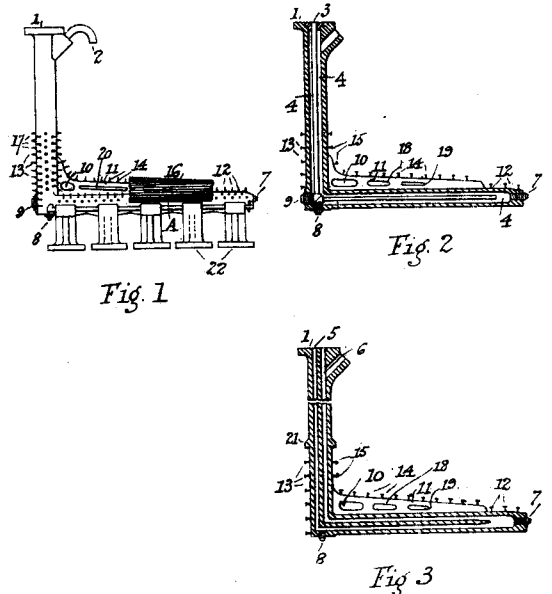
24904
Ballinger and Co. (Limited). Cinder-sifter. (Ballinger.)



24999
Wright, Morton, and Hercus. Lock.



25102
Hughes. Wool-bale Searer.



25101
Edwards. Ore-furnace.